

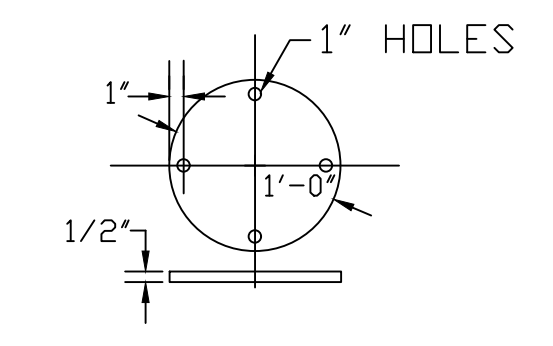
12'-5"

FULL CIRCLE 39'-0 1/8"

1/2 CIRCLE 19'-6 1/16"

1/4 CIRCLE 9'-9"

1/8 CIRCLE 4'-10 1/2"



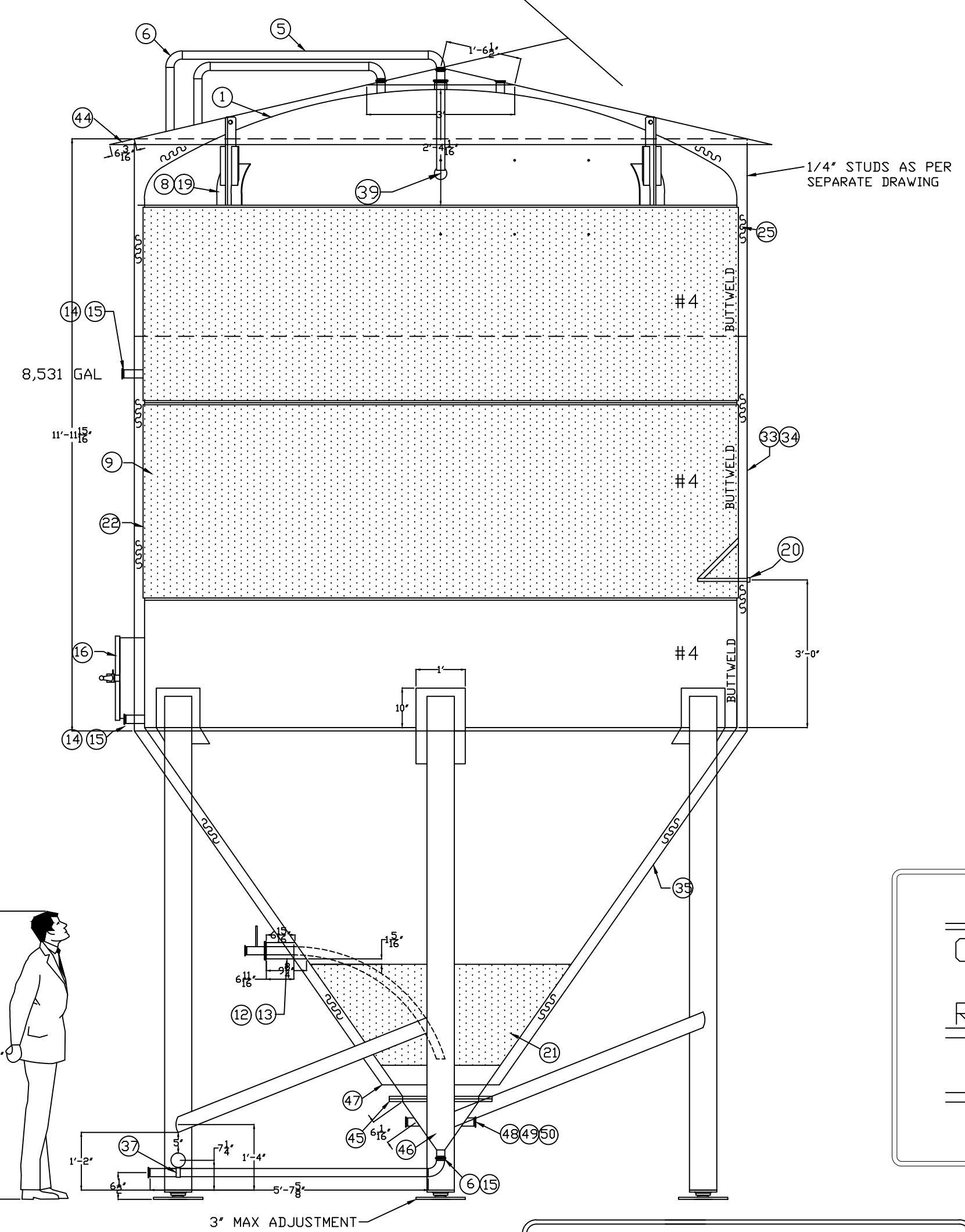
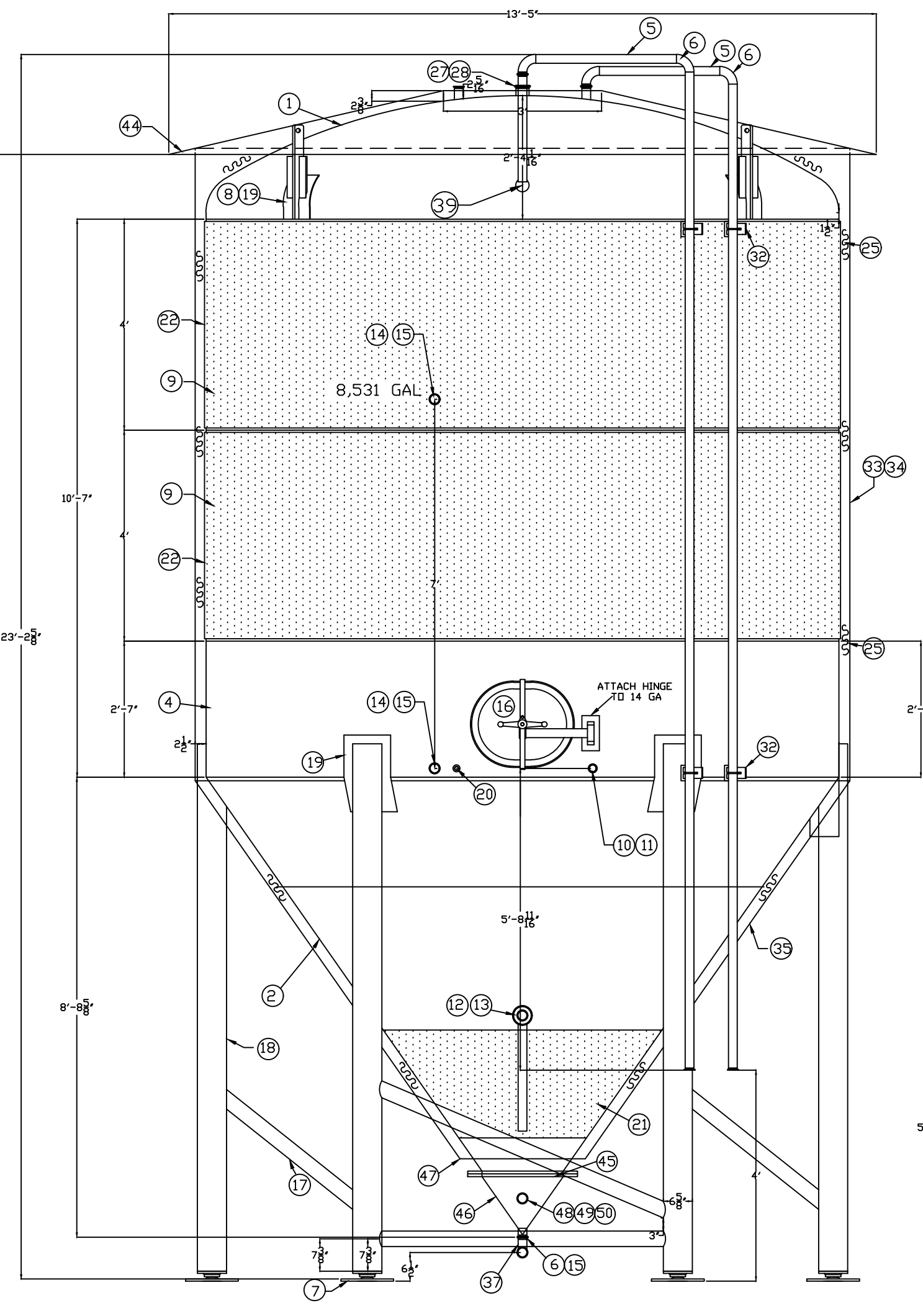
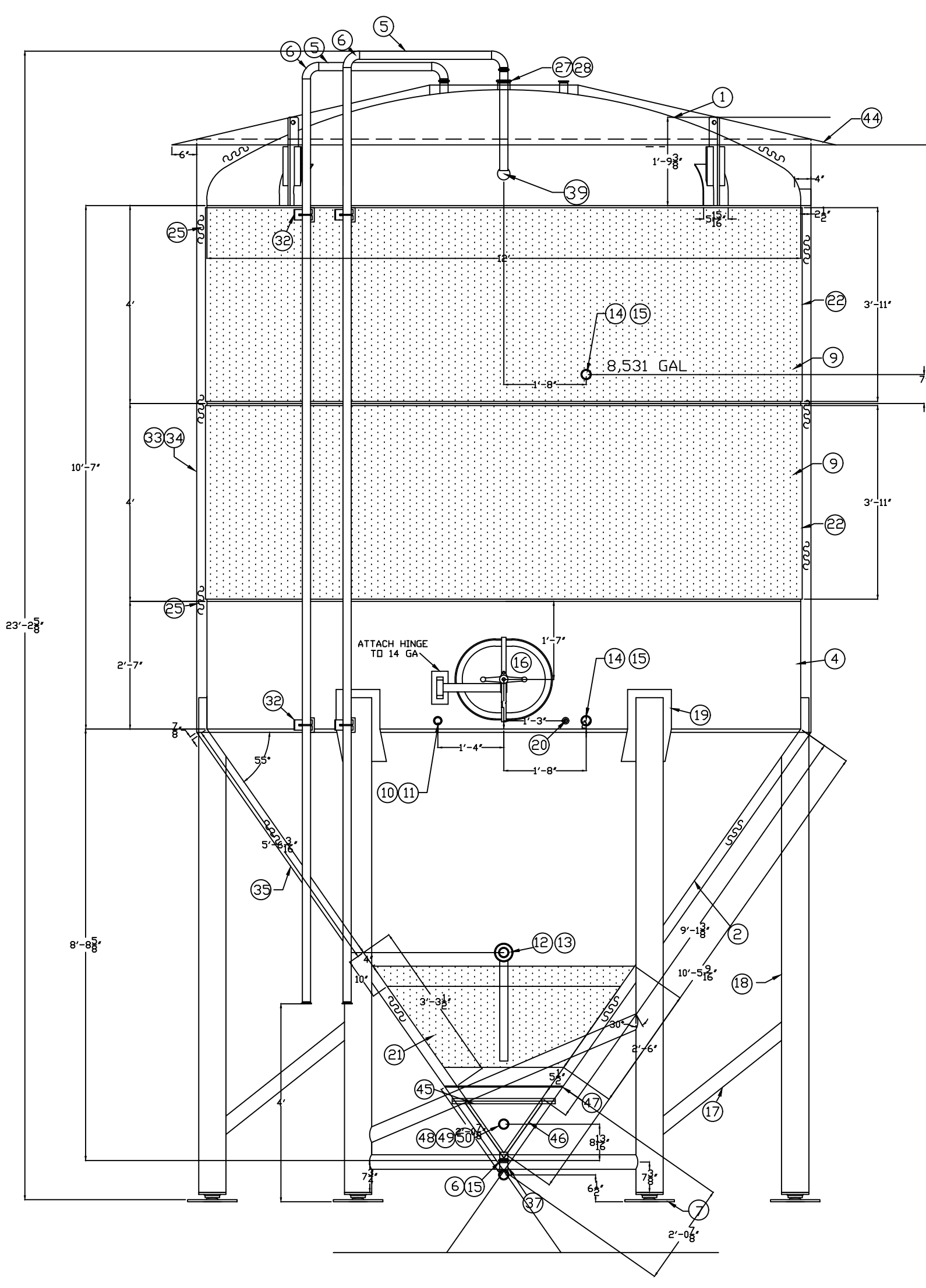
12'-0" DIA

FULL CIRCLE 37'-8 3/8"

1/2 CIRCLE 18'-10 3/16"

1/4 CIRCLE 9'-5 1/16"

1/8 CIRCLE 4'-8 1/2"



TANKS TO BE #4 FINISH

INTERIOR WELDS  
GROUND AND POLISH TO 180 GRIT  
RIBBON POLISH ONLY

EXTERIOR FINISH  
TYPE 304 #4 FINISH  
RIBBON POLISH ONLY

ALL TANKS TO BE VENTED TO THE ATMOSPHERE

FOR CUSTOMER APPROVAL

APPROVED BY \_\_\_\_\_ DATE \_\_\_\_\_

NOTE: DRAWINGS SHOULD BE APPROVED WITHIN 5 DAYS ANY DELAY MAY RESULT IN A DELAY IN DELIVERY

TANK CAPACITIES

G.P.I. 70.50 G.P.F. 846.03

TOP CONE 1,092

BOTTOM 2,416.08

SHELL 8,953.5

TOTAL 12,461.58

REVISIONS		
50	2	12 GA GUSSETS
49	2	2" OD TUBES 3" LONG
48	2	2" TRI-CLOVER FERRULES
47	1	10 GA CAP #4
46	1	10 GA CONE 18" X 2" #4
45	2	18" FLANGES S/S BOLTS, GASKETS ETC. #4
44	1	14 GA CONE TOP CUT 12'-11" DIA #4
(ACC)	43	1 RACKING ELBOW (DETAIL) #4
(ACC)	42	1 3" TC CLAMP AND GASKET #4
	41	1 3" TRI-CLOVER CAP #4
(ACC)	40	1 2" OD TUBE 24" LONG #4
(ACC)	39	1 CIP BALL #4
	38	1 36" DIA TOP LID 10 GA #4
	37	1 2" PIPE HANGER TO 2" OD TUBE HANGER #4
	36	1 2" OD TUBE CUT TO LENGTH #4
	35	1 14 GA BOTTOM CONE COVER #4
	34	2 14 GA WRAPS CUT 48" X 39'-0 1/8" #4
	33	1 14 GA WRAP CUT 36" X 39'-0 1/8" #4
	32	4 FLATBAR BRACES TO FIT 2" OD TUBE (REMOVABLE)#4
	31	2 2" OD TUBES CUT TO LENGTH #4
	30	1 4" TRI-CLOVER FERRULE #4
	29	1 4" OD TUBE CUT TO LENGTH #4
	28	1 3" TRI-CLOVER FERRULE #4
	27	1 3" OD TUBE UT TO LENGTH #4
	26	BEAUTY RINGS #4
	25	2" URETHANE INSULATION #4
	24	6 1 1/2" TRI-CLOVER FERRULES INLET/OUTLET #4
	23	6 1 1/2" OD TUBES 5" LONG #4
	22	2 47" SEC 100 PSI DIMPLE COOLING JACKETS #4
	21	1 30" 100 PSI DIMPLE COOLING JACKET #4
	20	2 1/2" THERM WELLS (DETAIL) #4
	19	12 10 GA BACKUP PADS #4
	18	6 6" SCH 40 S/S PIPE LEGS #4
	17	12 3" SCH 40 PIPE BRACES #4
	16	1 16" X 20" OVAL MANHOLE 6" (SHADOWLESS) #4
	15	11 2" TRI-CLOVER FERRULE #4
	14	2 2" OD TUBES 5" LONG #4
	13	1 4" DIN FERRULE (DETAIL) #4
	12	1 4" OD TUBE (SEE DETAIL) #4
	11	1 1 1/2" OD TUBE 5" LONG (SAMPLE) #4
	10	1 1 1/2" TRI-CLOVER FERRULE (SAMPLE) #4
	9	2 12 GA WRAPS CUT 48" X 37'-8 3/8" #4
	8	4 LIFTING LUGS #4
	7	6 1/2" S/S FOOT PADS X 12" DIA (DETAIL) #4
	6	5 2" OD TUBE 90 ELBOWS #4
	5	2 2" OD TUBE CUT TO LENGTH #4
	4	1 12 GA WRAP CUT 31" X 37'-8 3/8" #4
	3	1 2" TI-CLOVER FERRULE 14MPW #4
	2	1 10 GA 55° CONE BOTTOM #4
	1	1 12 GA ASME DOMED TO 144" DIA

JOB NO. B146086 DATE 10/24/14 SCALE 3/8" DRWN BY JMF

BEAR REPUBLIC

FOUR (4) 400 BBLs UNI TANK

12'-0" DIA X 10'-7" HIGH

DOMED TOP AND 55° CONED BOTTOM

TYPE 304 #4 2B STAINLESS STEEL

SANTA ROSA STAINLESS STEEL

P.O. BOX 518

SANTA ROSA CA. 95402